

TL-CN Series of Municipal Roadway LED Luminaires

Features and Benefits

- 27-80 Watt Low Power and High Performance
- Construction—Heavy-duty, corrosion-resistant, low copper, die cast aluminum housing with stainless steel hardware for strength and durability. A powder-coated finish provides excellent resistance to extreme environments.
- LED's—The CN incorporates high quality, high-efficiency 4100K (70 CRI) or 5700K (75 CRI) LUXEON M LEDs.
- Electrical—The Luminaires are available in 120-277V and 347-480V, 50/60Hz. Power Factor of >90%. Total Harmonic Distortion <10%. Exceeding Energy Star requirements, the CN conforms to industry and government performance mandates and standards. Efficacy of 90+ lumens per watt enables the CN to properly manage heat dissipation while enhancing performance and longevity.
- Optics—Precision-molded, optical grade lenses covered by a high-impact glass cover (IK08 strength rating). Type II, Type III, and Type V distributions available. Cutting edge photometric design provides zero light above the horizontal plane/axis delivering optimized uniformity to the illuminated areas.
- LED Rated Life (L75) - These high quality LED's are rated for approx. 100,000 hours @25°C (77°F) ambient environment per LM-80, TM21.
- Protection/Ingress—LED and driver compartments are IP66 certified. Surge compartment is IP54 certified.
- Photocontrol Options—3 pin NEMA receptacle standard and replaceable. 5 and 7 pin receptacle options available.
- Surge Protection—10kV/10kA (ANSI/IEEE C64.41.2) is standard and replaceable.
- 5 year limited warranty with a 10 year option when required.*
- UV, IR and Mercury-free, ETL, UL, RoHS, CSA, IP66, LM-79, LM80, NEMA, IESNA, ASTM B117, Dark Sky, ARRA, and NAFTA compliant. DLC, NOM—pending.



*TL-CN4/TL-CN6

OUTDOOR
Cobra Head

Accessories

- House side shield
- NEMA 5 pin and 7 pin receptacle
- Knuckle mount

Applications

- Parking Areas
- Roadways
- Billboards
- Wall pack lighting
- Streets
- Any other space requiring reliable safety and security

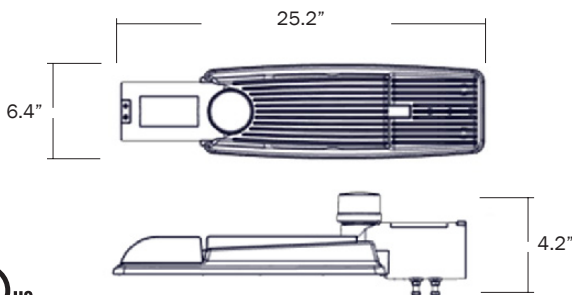
5 Year Warranty

Reduces Energy & Cost

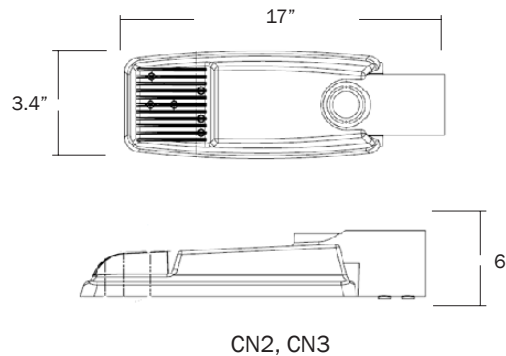
No Lead or Mercury

Example: TL-CN2421SNDXX

Model:	LED Quantity:	CCT:	Distribution:	Voltage:	Color:	Photocell:	Dimming:	Option 1:	Option 2:
TL-CN	2	41 = 4100K	2 = Type II	1 = multi volt	S = Silver	C = Cap/None	X = None	X = None	X = None
	3	60 = 6000K	3 = Type III	90-285VAC/		N = NEMA Receptacle	D = Dimming (0-10vdc)	H = House Side Shield	
	4		5 = Type V	50-60Hz		R = NEMA Photocell			
	6			4 = 347V-480V *Only available for TL-CN3 & TL-CN6					



CN4, CN6



CN2, CN3



Certifications:
ETL, RoHS, CE,
RoHS LM79, LM80

*For warranty terms please visit our website Trans-Lux.com

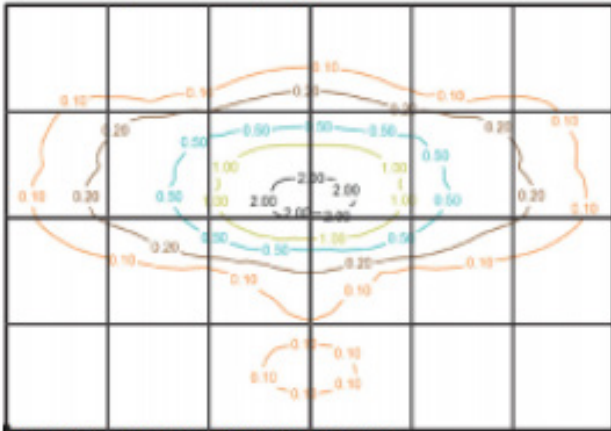


Trans-Lux Energy Corporation
300 N Elizabeth St Suite 610c
Chicago, IL 60607
800.559.8197 • www.Trans-Lux.com

TL-CN Series of Municipal Roadway LED Luminaires

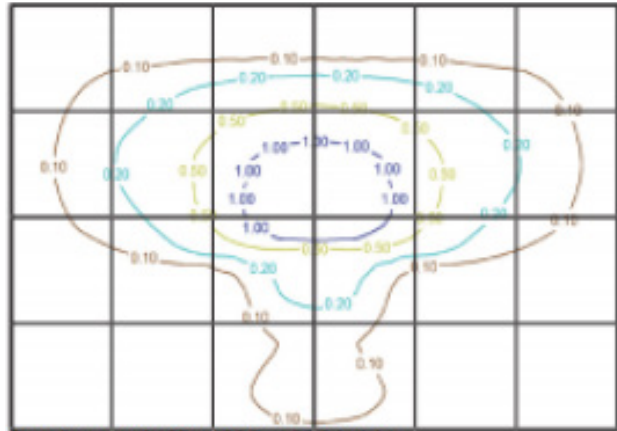
Photometry

CN3, 5700K Type II Distribution



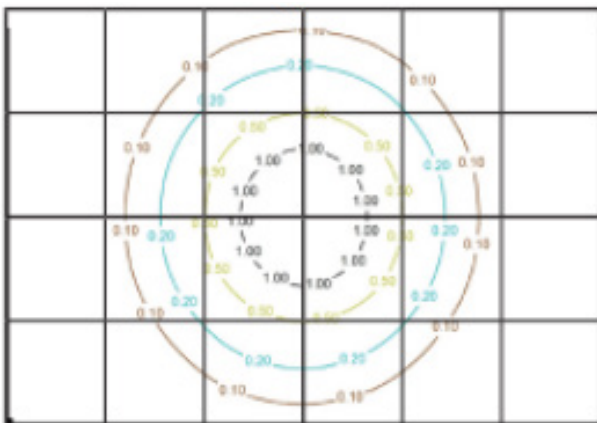
Sample area of 150 x 100 ft at 25 ft height.

CN3, 5700K Type III Distribution



Sample area of 150 x 100 ft at 25 ft height.

CN3, 5700K Type V Distribution

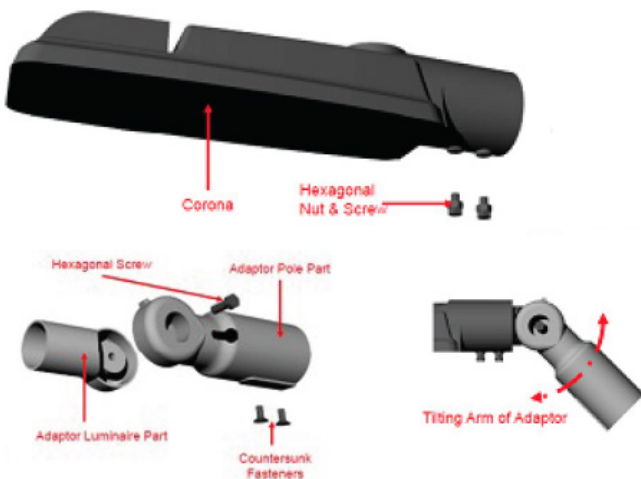


Sample area of 150 x 100 ft at 25 ft height.

Model:	Drive Current (mA):	Input Watts:	Input Current (A):			Distribution Type:	4000K and 5700K	
			120V	240V	277V		Lumens	Efficacy (LPW)
TL-CN2	1050	27	0.23	0.11	0.1	II	2430	90
						III		
						IV		
TL-CN3	1050	40	0.33	0.17	0.14	II	3600	90
						III		
						IV		
TL-CN4	1050	55	0.46	0.23	0.2	II	4950	90
						III		
						IV		
TL-CN6	1050	80	0.67	0.33	0.29	II	7360	92
						III		
						IV		

OUTDOOR
Cobra Head

Knuckle Mount



Mounting

A slip fitter mount accepting horizontal arms up to 2.5" OD. An optional knuckle mount allows for the fixture to be oriented at angles from 0° to 45°. Installation and electrical connection is accomplished with easy access mounting bolts and integral cable loop with fully sealed Tyco Cool Splice Connectors.



Trans-Lux Energy Corporation
300 N Elizabeth St Suite 610c
Chicago, IL 60607
800.559.8197 • www.Trans-Lux.com