

TL-AV Series of DOT & Area LED Luminaires

Features and Benefits

- 100 and 155 Watt Low Power and High Performance
- Construction—The AV series is designed with rugged, corrosion-resistant, die cast aluminum housing with stainless steel hardware for durability and strength. An epoxy powder-coated finish provides excellent resistance to outdoor conditions.
- LED's—The CN incorporates high quality, high-efficiency 4100K (70 CRI) or 5700K (75 CRI) LUXEON M LEDs.
- LED's—The AV incorporates advanced high-efficiency Philips Lumiled Luxeon M 4100K (70CRI) or 5700K (75CRI) components providing optimized combinations of light delivery to uniformly illuminate target areas.
- Electrical—The Luminaires are available in 120-277V and 347-480V, 50/60Hz. Power Factor of >90%. Total Harmonic Distortion <10%. Exceeding Energy Star requirements, the AV conforms to industry and government performance mandates and standards. Efficacy of 90+ lumens per watt enables the AV to properly manage heat dissipation while enhancing performance and longevity.
- Optics—Precision-molded, optical grade lenses covered by a high-impact glass cover (IK08 strength rating). Type II, Type III, IV and Type V distributions available. Cutting edge photometric design achieves full cutoff with zero light above the horizontal plane/axis.
- LED Rated Life (L75) - These high quality LED's are rated for approx. 100,000 hours @25 °C (77 °F) ambient environment per LM-80, TM21.
- Protection/Ingress—LED and driver compartments are IP66 certified. Surge compartment is IP54 certified.
- Photocontrol Options—3 pin NEMA receptacle is standard and replaceable. NEMA receptacles also available in 5 and 7 pin configurations.
- Surge Protection—10kV/10kA (ANSI/IEEE C64.41.2) is standard and replaceable.
- 5 year limited warranty with a 10 year option when required.*
- ETL, UL, CSA, LM79, LM80, NEMA, IESNA, ASTM B117, Dark Sky compliant, ARRA and NAFTA compliant. DLC and NOM design conformance.



Accessories

- NEMA 5 pin and 7 pin receptacles.
- Knuckle Mount, can be used to achieve a higher angle.
- Area Arm Mount fits a 4" square or round pole seamlessly.

Applications

- Parking Areas
- Roadways
- Billboards
- Wall pack lighting
- Streets
- Any other space requiring reliable safety and security

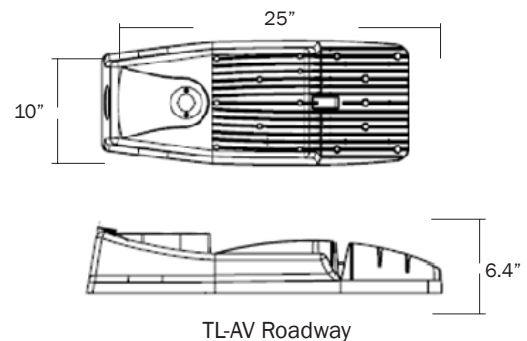
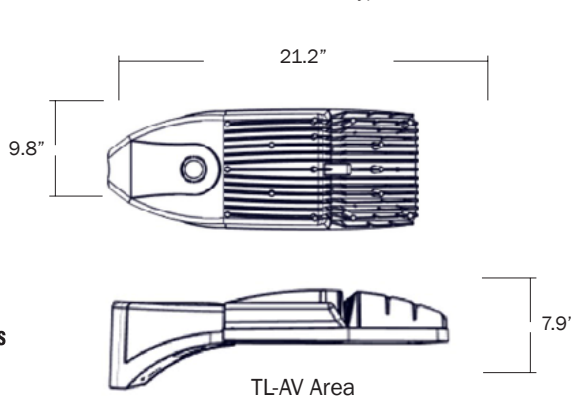
5 Year Warranty

Reduces Energy & Cost

No Lead or Mercury

Example: TL-AAV8421SNXX

Model:	LED Quantity:	CCT:	Distribution:	Voltage:	Color:	Photocell:	Dimming:	Option 1:
TL-AV = Roadway Arm 277V	8	41 = 4100K	2 = Type II	1 = multi volt 90-285 VAC	S = Silver	C = Cap/None	X = None	X = None
TL-AAV = Area Arm 277V	12	60 = 6000K	3 = Type III		R = Bronze	N = NEMA Receptacle	D = Dimming (0-10Vdc)	H = House Side Shield
TL-AVH = Roadway Arm 480V			4 = Type IV	4 = 347V-480V		R = NEMA Photocell		
TL-AAVH = Area Arm 480V			5 = Type V	50-60Hz				



Certifications:
FCC, RoHS, LM79, LM80



*For warranty terms please visit our website Trans-Lux.com

**Silver is standard for Roadway configuration; Dark Bronze is standard for Area configuration.



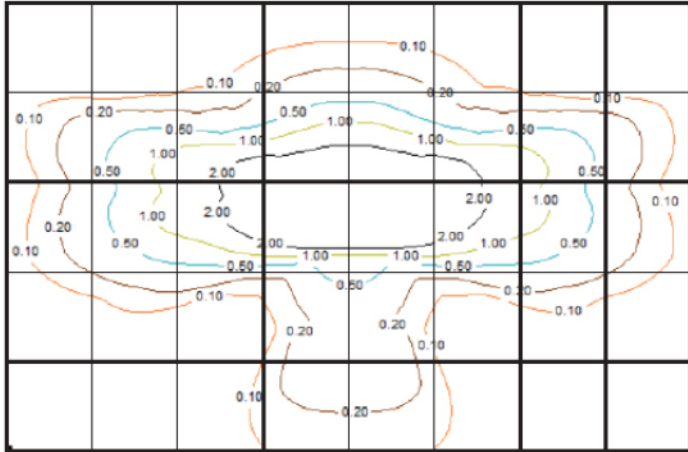
Trans-Lux Energy Corporation
300 N Elizabeth St Suite 610c
Chicago, IL 60607
800.559.8197 • www.Trans-Lux.com

OUTDOOR
Cobra Head

TL-AV Series of DOT & Area LED Luminaires

Photometry

TL-AV12,5700K, Distribution Type II

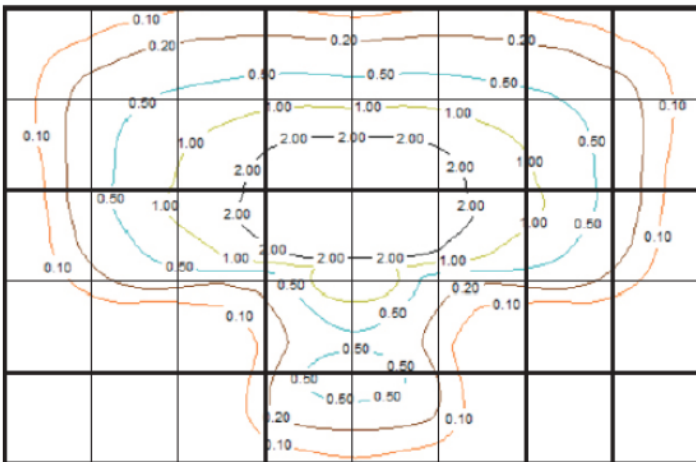


Sample area of 200 by 125 ft at 25 ft height.

	LCS Zone	Lumens	%of Luminaire
Forward Low (FL)	0-30°	2,503.3	16.7%
Forward Medium (FM)	30-60°	6,146	41.0%
Forward High (FH)	60-80°	2,698.2	18.0%
Forward Very High (FVH)	80-90°	60	0.4%
Back Low (BL)	0-30°	750	5.0%
Back Medium (BM)	30-60°	1,304.1	8.7%
Back High (BH)	60-80°	1,424.1	9.5%
Back Very High (BVH)	80-90°	105	0.7%
Uplight Low (UL)	90-100°	0.0	0.0%
Uplight High (UH)	100-180°	0.0	0.0%

Total 14,990 100%
BUG Rating: B2-U0-G2

TL-AV12, 5700K, Distribution Type III



Sample area of 200 by 125 ft at 25 ft height.

	LCS Zone	Lumens	%of Luminaire
Forward Low (FL)	0-30°	1,888.7	12.6%
Forward Medium (FM)	30-60°	6,026	40.2%
Forward High (FH)	60-80°	3,867.4	25.8%
Forward Very High (FVH)	80-90°	45	0.3%
Back Low (BL)	0-30°	734.5	4.9%
Back Medium (BM)	30-60°	1,409.1	9.4%
Back High (BH)	60-80°	944.4	6.3%
Back Very High (BVH)	80-90°	75	0.5%
Uplight Low (UL)	90-100°	0.0	0.0%
Uplight High (UH)	100-180°	0.0	0.0%

Total 14,990 100%
BUG Rating: B2-U0-G2

Model:	Input Watts:	Input Current (A):			Distribution Type:	4000K and 5700K	
		120V	240V	277V		Lumens	Efficacy (LPW)
TL-AV8	100	0.83	0.42	0.36	II	9500	95
					III		
					IV		
					V		
TL-AV12	155	1.29	0.65	0.56	II	14415	93
					III		
					IV		
					V		

Mounting

A slip fitter mount accepting horizontal arms up to 2.5" OD. Bubble level available inside mounting compartment for simple leveling at time of installation. Area mount easily fits a 4" square or round pole seamlessly with the universal adapter.



Dark Bronze color is shown

OUTDOOR
Cobra Head



Trans-Lux Energy Corporation
300 N Elizabeth St Suite 610c
Chicago, IL 60607
800.559.8197 • www.Trans-Lux.com