

Outdoor/Indoor LED Flood Lights - High Lumen

Features and Benefits

- 750 and 970 Watt Low Power and High Performance
- Available Colors: Dark Grey and Black Shells
- Mean Well UL/CUL driver
- High reflective rate of 92%
- Mounting bracket rotates 216°
- E-PTFE waterproof breathable membrane
- Excellent heat sink with Copper heat pipe
- 6 year warranty*
- UV, IR and Mercury-free
- Certification



Rated Life
50,000 hours

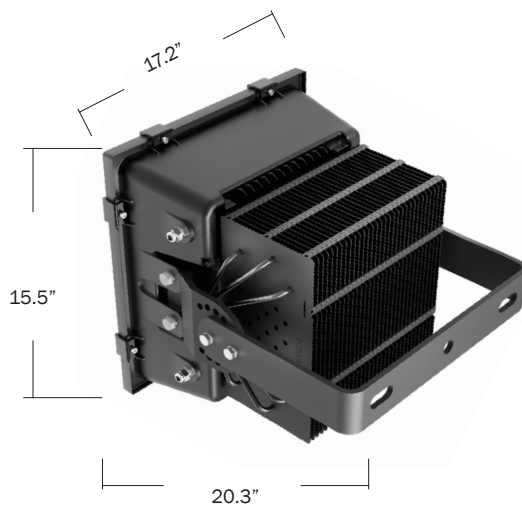
Reduces
Energy & Cost

No Lead or
Mercury

OUTDOOR
Flood Light

Part Number:	Replaces:	Wattage:	Lumens:	Beam Angle:	Voltage:
TL-GI-FLHB19	1,500W MH/HPS	750	70200	90°×10°, or 90°×50°	AC 100-277V
TL-GI-FLHB19-HV	1,500W MH/HPS	750	70200	90°×10°, or 90°×50°	AC 100-277V
TL-GI-FLHB20	2,000W MH/HPS	970	90500	90°×10°, or 90°×50°	AC 347-480V
TL-GI-FLHB20-HV	2,000W MH/HPS	970	90500	90°×10°, or 90°×50°	AC 347-480V

Operating Frequency:	Color Temperature(CCT):	Operating Temperature:	Dimensions (in inches):	Indoor/Outdoor:	Certified Installer Required:
50-60 Hz	3000K 4100K (DLC) 5500K (DLC) 6000K	-30° C to 45° C	20.3" x 17.2" x 15.5"	Both	Yes



Applications

- Commercial Buildings
- Historical Buildings
- Hotels
- Stages
- Parks
- Facade
- Mosques
- Museums
- Art Galleries
- Sports Facilities



Certifications:
UL/cUL(E352762),
DLC (pending)



*For warranty terms please visit our website Trans-Lux.com