

NY Rated Architect's Choice: LED Edge Lit Exit Sign Battery Back-up

Features and Benefits

- Recessed or wall recessed
- Compact, low profile design
- Standard colors, white, black, brushed aluminum
- Red or green super bright LEDs
- Field installable directional arrows
- Consumes less than 3 watts for AC units and less than 5 watts for battery backup units
- 120/277 volt operation
- Attractive aluminum extrusion design
- Constant, uniform illumination
- Optional Self-Test/Self-Diagnostics
- 25 year warranty*
- UV, IR and Mercury-free

Battery Back-Up

- Test button and LED AC/DC indicator
- Overcharge protected
- Brown-out protected
- UL recognized, maintenance-free, sealed lead acid battery
- ETL listed 90 minute emergency run-time

**25 Year
Warranty**

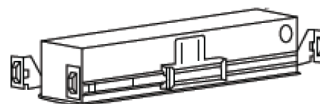
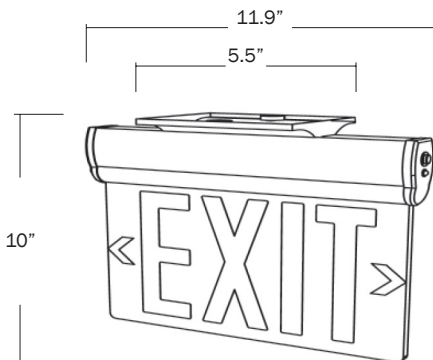
**Reduces
Energy & Cost**

**No Lead or
Mercury**



| Series: | Operation: | LED: | Faces: | Options: |
|---------|--------------------|-----------|---|-----------------------------|
| TL-EUN | AC = AC Only | R = Red | 1C = Single Face/Clear Background | RC = Recessed Ceiling Mount |
| TL-EUN | EM = NiCad Battery | G = Green | 2M = Double Face/Mirror Back Background | RC = Recessed Ceiling Mount |

| Operating Temperature: | Dimensions (in inches): | Indoor/Outdoor: | Certified Installer Required: |
|------------------------|-------------------------|-----------------|-------------------------------|
| -10 °C to 40 °C | 11.9" x 10" | Indoor | Yes |



Recessed Backbox

Applications

- Residential
- Office
- Retail
- Restaurant
- School
- Hospital
- Hotel/Motel



Certifications:
ETL, NEC, OSHA,
and NFPA
O282

*For warranty terms please visit our website Trans-Lux.com



Trans-Lux Energy Corporation
300 N Elizabeth St Suite 610c
Chicago, IL 60607
800.559.8197 • www.Trans-Lux.com