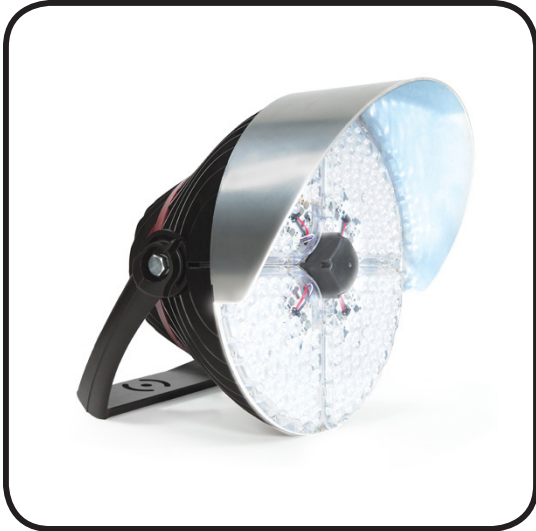


LED Stadium Pro

SPECIALTY
Stadium Lighting

Features and Benefits

- 1000 Watt Initial (1200 Max)
- Bring the dynamics of the game to life with consistent and precisely delivered light that meets the stringent demands of international HDTV broadcasting, digital photography and slow-motion recording.
- Maintains delivered Foot Candles over fixture life
- Continuous health & status monitoring of each light
- Low stand-by current for minimal power consumption
- Ability to generate unique fan experience effects
- Multi-sport options to optimize color and illumination
- Integrated laser mount for precise aiming
- IP Rating: IP66
- Rated Lifetime: >225,000 hours, L70
- UV, IR and Mercury-free



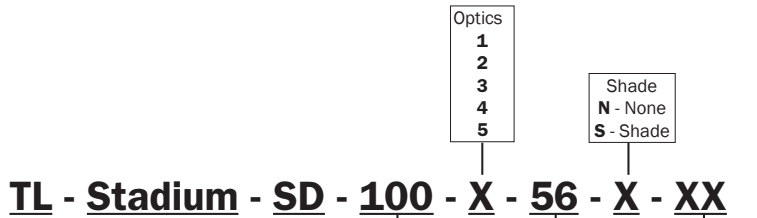
Rated Life
>225,000hrs

Reduces
Energy & Cost

No Lead or
Mercury

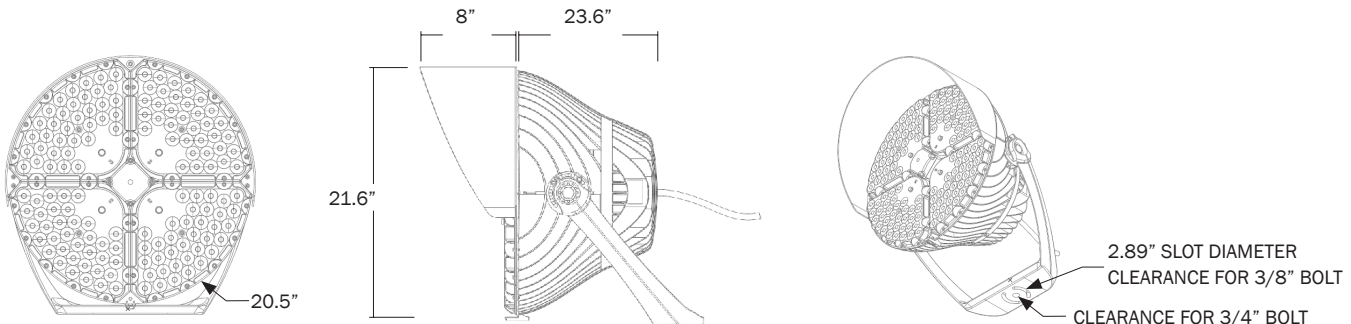
Part Number:	Wattage:	Dimmable:	Lumens:	Efficacy:	CCT:	Voltage:
TL-Stadium-SD-1000-2-56-N-RF	1000	No	115,000 (Maintained)	115lm/w	5600K or Color Tuning (4000K - 6500K)	208VAC, 240VAC, 277VAC, 347VAC, 480VAC

Power Factor:	CRI:	Max Inrush Current:	Operating Temperature:	Life Hours:	Standby Current:	Controls:	Indoor/Outdoor:	Certified Installer Required:
>.95 (277VAC)	>70	5.3 Amps (277VAC)	-40°C to 55°C	>225,000	<500mW	Integrated Wireless	Indoor	No



Applications

- Sports Lighting
- Entertainment Lighting



Note:
1. Unless otherwise indicated, specifications were obtained in a 25°C ambient test environment. Changes in options, features and conditions may result in slightly different performance specifications among fixtures.
2. Temperature rating is applicable when the fixture is mounted between 30-90 degrees. Mounting angles below 30 degrees are not recommended and ambient temperature should not exceed 25°C in this situation.



Certifications:
RoHS, ETL Listed



Trans-Lux Energy Corporation
300 N Elizabeth St Suite 610c
Chicago, IL 60607
800.559.8197 • www.Trans-Lux.com

*For warranty terms please visit our website Trans-Lux.com