

# LED Replacement for Metal Halide Lamps

Magnetic Ballasts Only 175W, 250W, 400W (Ballast Compatible)

**INDOOR**  
Metal Halide Replacements

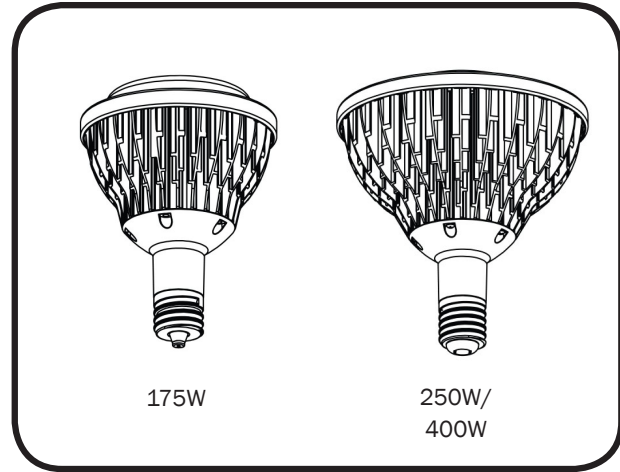
**Features and Benefits**

- 17 Watt to 156 Watt Low Power and High Performance
- Replaces 400W, 250W, or 175W metal halide lamps
- Plug and Play installation
- Ultra-low energy draw
- Up to 15,000 lumens fixture delivered light output
- From 17W to 156W lamp power, yields 60%-90% energy savings
- Rated life: 50,000+ hours
- UV, IR and Mercury - free
- UL - Dry Locations

**5 Year  
Warranty**

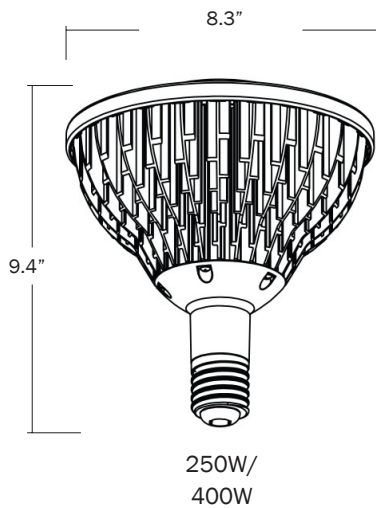
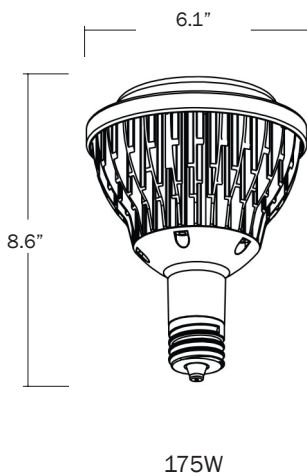
**Reduces  
Energy & Cost**

**Rated Life  
50,000+ hrs**



Part Number:	Replaces:	Wattage:	Base Type(s):	CRI:	Lumens:	Dimensions (in inches):
TL-SN-VJ-E39-175W-4000-G1	175W	17W	E39/EX39	≥70	2000	8.6" x 6.1"
TL-SN-VP-E39-175W-4000-G1	175W	40W	E39	≥70	5000	8.6" x 6.1"
TL-SN-VJ-E39-250W-4000-G1	250W	55W	E39/EX39	≥70	6000	9.4" x 8.3"
TL-SN-VP-E39-250W-4000-G1	250W	94W	E39	≥70	10000	9.4" x 8.3"
TL-SN-VJ-E39-400W-4000-G1	400W	92W	E39/EX39	≥70	10000	9.4" x 8.3"
TL-SN-VP-E39-400W-4000-G1	400W	156W	E39	≥70	15000	9.4" x 8.3"

Operating Temperature:	Color Temperature(CCT):	Life Hours:	Indoor/Outdoor:	Certified Installer Required:
0°C to 53°C	4000K	50,000+	Indoor	No



**Applications**

- Warehouse
- Distribution/Logistic Center
- Aisle Lighting



**Certifications:**  
RoHS, ETL Listed



Trans-Lux Energy Corporation  
300 N Elizabeth St Suite 610c  
Chicago, IL 60607  
800.559.8197 • www.Trans-Lux.com