

# Exit Signs Paddle Retrofit Kits Specification

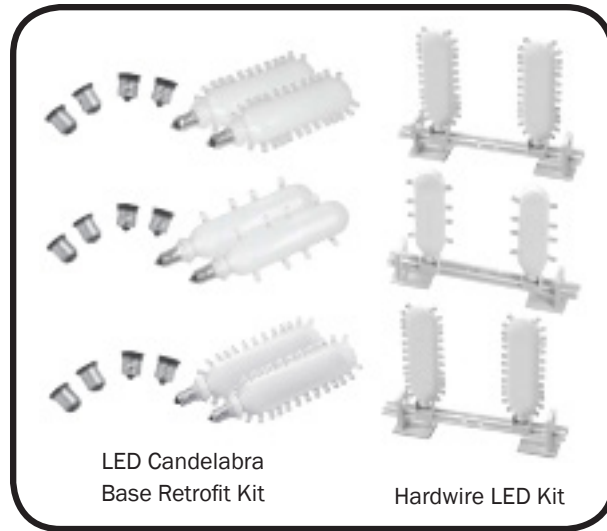
**Features and Benefits**

- 0.7-1.8 Watt Low Power and High Performance
- New, brighter LEDs
- Solid construction, made to retrofit into existing exit signs
- More compact design allows unit to fit into more applications
- Available with white, green or red LEDs
- Zero maintenance & easy installation
- Life expectancy 10 years at full lumen output
- 5 Year Warranty\*
- UV, IR and Mercury-free
- UL-Dry and Damp Location

**Indoor/  
Outdoor**

**Reduces  
Energy & Cost**

**No Lead or  
Mercury**



LED Candelabra Base Retrofit Kit

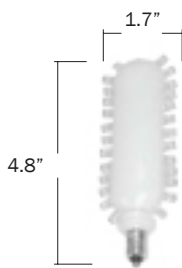
Hardwire LED Kit

Part Number:	Description:	Wattage:	Dimensions (in inches):	Voltage:	Operating Temperature:
20715	Red LED Candelabra Base Retrofit Kit, 2 Adapt.	1.2W	1.7" x 4.8"	120V	10°C to 50°C
20716	Red Hardwire LED Kit 120 / 277V	1.2W	6.9" x 5.6"	120/277V	10°C to 50°C
20717	Green LED Candelabra Base Retrofit Kit, 2 Adapt.	0.7W	1.7" x 4.8"	120V	-6°C to 35°C
20718	Green Hardwire LED Kit 120 / 277V	0.7W	6.9" x 5.6"	120/277V	-6°C to 35°C
20719	White LED Candelabra Base Retrofit Kit, 2 Adapt.	1.7W	1.7" x 4.7"	120V	0°C to 38°C
20721	White Hardwire LED Kit 120 / 277V	1.8W	6.9" x 4.8"	120/277V	20°C to 40°C

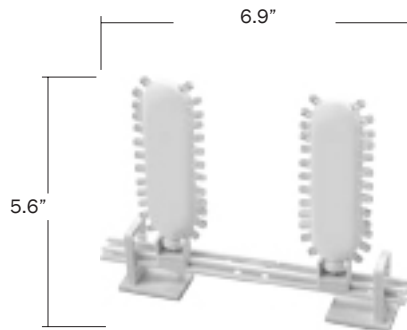
Indoor/ Outdoor:	Retrofit/ New Fixture:	Certified Installer Required:
Both	New Fixture	Yes

**Applications**

- Residential
- Office
- Retail
- Restaurant
- School
- Hospital
- Hotel/Motel



LED Candelabra Base Retrofit Kit



Hardwire LED Kit



Certifications:  
CETL, UL924

\*For warranty terms please visit our website Trans-Lux.com



Trans-Lux Energy Corporation  
300 N Elizabeth St Suite 610c  
Chicago, IL 60607  
800.559.8197 • www.Trans-Lux.com