

AccuLED™ LED Warehouse Light

INDOOR
Highbay

Features and Benefits

- 100 and 150 Watt Low Power and High Performance
- Special optical design for precise warehouse lighting
- 40% increase of desired light to aisle and rack
- Extremely low glare
- System Light Efficacy > 100LPW
- IP65
- Rated Lifetime: up to 100,000 hours, 5 Year Warranty*
- UV, IR and Mercury-free



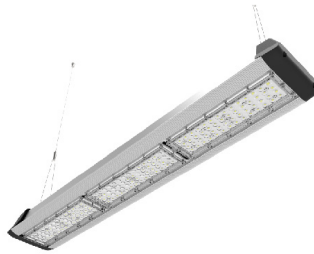
Dimmable

Reduces Energy & Cost

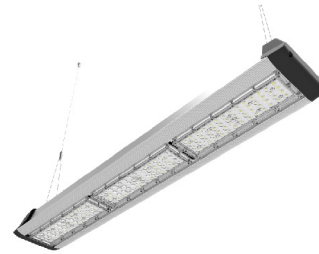
No Lead or Mercury



100W



150W



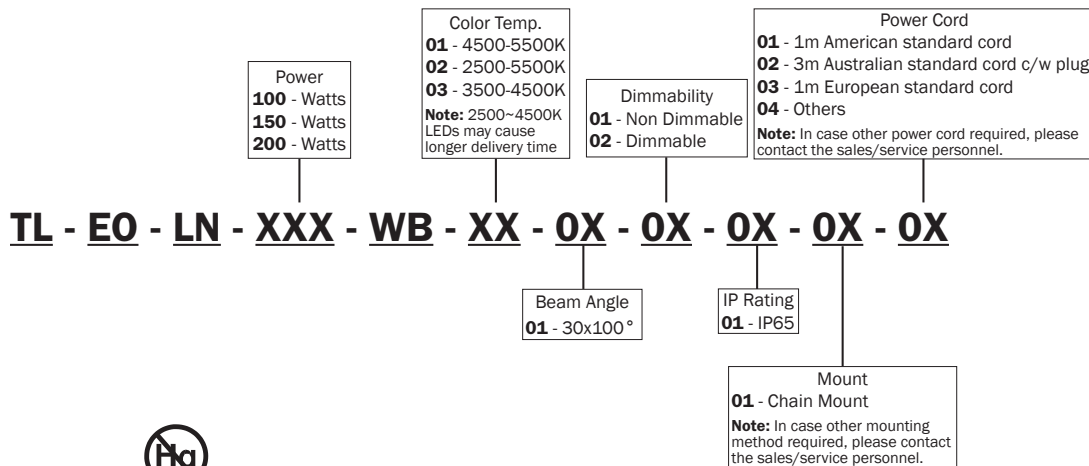
200W

| Part Number: | Replaces: | Wattage: | Dimmable: | CRI: | Lumens: | LED Chip: | Beam Angle: | Dimensions (in inches): |
|--------------------|-----------|----------|-----------|------|---------|-----------|-------------|-------------------------|
| TL-EO-LN-100(ALWB) | 250W HID | 100 | Yes | ≥80 | ≥10000 | OSRAM | 30x100° | 25.6" x 6.3" x 3.7" |
| TL-EO-LN-150(ALWB) | 400W HID | 150 | Yes | ≥80 | ≥15000 | OSRAM | 30x100° | 25.6" x 6.3" x 3.7" |
| TL-EO-LN-200(ALWB) | 750W HID | 200 | Yes | ≥80 | ≥20000 | OSRAM | 30x100° | 37.2" x 6.3" x 3.7" |

| Voltage: | Life Hours: | Power Factor: | Operating Frequency: | Operating Temperature: | Color Temperature(CCT): | Indoor/Outdoor: | Certified Installer Required: |
|----------|-------------|---------------|----------------------|------------------------|-------------------------------------|-----------------|-------------------------------|
| 100-277V | L70>100,000 | >0.95 | 47-63Hz | -30°C to 45°C | 4500~5500K 2500~5500K (Optional) | Indoor | Yes |

Applications

- Warehouse
- Distribution/Logistic Center
- Aisle Lighting



Certifications:
ETL, CE, RoHS



*For warranty terms please visit our website Trans-Lux.com



Trans-Lux Energy Corporation
300 N Elizabeth St Suite 610c
Chicago, IL 60607
800.559.8197 • www.Trans-Lux.com