

6 inch Downlights – 18, 23 and 27 Watt

INDOOR
Downlight

Features and Benefits

- 18, 23 and 27 Watt Low Power and High Performance
- Unique aesthetics and top-tier commercial grade retrofit LED fixtures
- A variety of finishes and colors in downlight (White, Silver gray...)
- 6" versions available to retrofit Incandescent or vertical CFL existing rough-ins
- Easy conversion method and installation can be performed from below the ceiling without removing existing fixture.
- The external driver ensures steady performance and long lifespan
- Mounting: Recessed
- Excellent efficacies of up to 70 lm/W
- Suitable for Damp locations
- Dimming: 0-10V Dimming
- Rated Lifetime: 50,000 hours
- 5 Year Warranty*
- UV, IR and Mercury-free
- UL-Dry Location



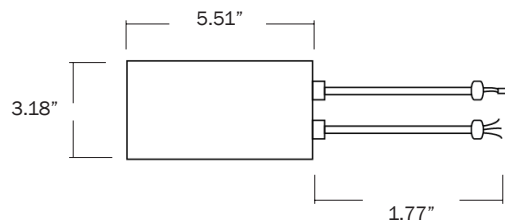
Dimmable

**Reduces
Energy & Cost**

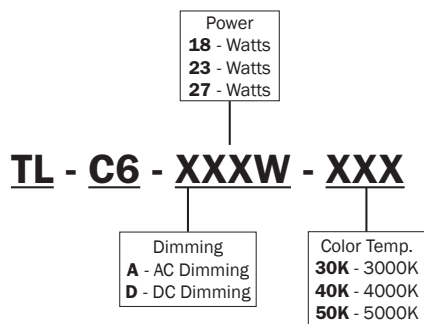
**No Lead or
Mercury**

Part Number:	Wattage:	Lumens:	Dimmable:	CRI:	Voltage:	Dimensions (in inches):
TL-C6-A18W-XXX	18	1350	Yes - AC	≥80	120 VAC	7.48" x 7.68"
TL-C6-D18W-XXX	18	1880	Yes - DC	≥80	100-277 VAC	7.48" x 7.68"
TL-C6-D23W-XXX	23	1420	Yes - DC	≥80	100-277 VAC	7.48" x 7.68"
TL-C6-A27W-XXX	27	1723	Yes - AC	≥80	120 VAC	7.48" x 8.46"
TL-C6-D27W-XXX	27	1904	Yes - DC	≥80	100-277 VAC	7.48" x 8.46"

LED Driver Dimension



CCT:	Power Factor:	Operating Temperature:	Life Hours:	Indoor/Outdoor:	Certified Installer Required:
3000K	> 0.9	-20 °C to 45 °C	50,000	Indoor	Yes
4000K					
5000K					



Applications

- Healthcare
- Hospitality
- Office
- Property Management
- Residential
- Retail



Certifications:
RoHS, ETL Listed



Trans-Lux Energy Corporation
300 N Elizabeth St Suite 610c
Chicago, IL 60607
800.559.8197 • www.Trans-Lux.com