

4 inch Downlights – 14 and 27 Watt

INDOOR
Downlight

Features and Benefits

- 14 and 27 Watt Low Power and High Performance
- Unique aesthetics and top-tier commercial grade retrofit LED fixtures
- Replaces most manufacturers incandescent, CFL or HID fixtures with apertures of 4.1" min. to 4.7" max diameter
- Excellent efficacies of up to 70 lm/W
- The external driver ensures steady performance and long lifespan
- Mounting: Recessed
- Suitable for Damp locations
- Dimming: 0-10V Dimming
- Rated Lifetime: 50,000 hours
- 5 Year Warranty*
- UV, IR and Mercury-free
- UL-Dry Location



Dimmable

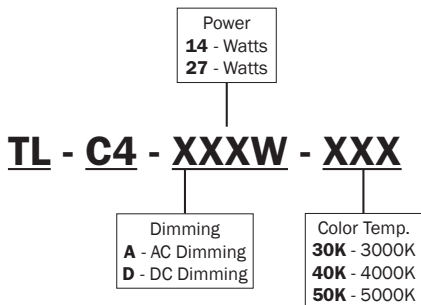
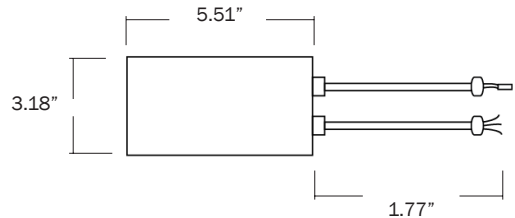
Reduces Energy & Cost

No Lead or Mercury

Part Number:	Wattage:	Lumens:	Dimmable:	CRI:	Voltage:
TL-C4-A14W-XXX	14	980	Yes - AC	≥80	120 VAC
TL-C4-14W-XXX	14	1000	No	≥80	100-277 VAC
TL-C4-A27W-XXX	27	1836	Yes - AC	≥80	120 VAC
TL-C4-D27W-XXX	27	2020	Yes - DC	≥80	100-277 VAC

CCT:	Power Factor:	Operating Temperature:	Life Hours:	Dimensions (in inches):	Indoor/Outdoor:	Certified Installer Required:
3000K	> 0.9	-20°C to 40°C	50,000	5.59" x 7.17"	Indoor	Yes
4000K						
5000K						

LED Driver Dimension



Applications

- Healthcare
- Hospitality
- Office
- Property Management
- Residential
- Retail



Certifications:
RoHS, ETL Listed



Trans-Lux Energy Corporation
300 N Elizabeth St Suite 610c
Chicago, IL 60607
800.559.8197 • www.Trans-Lux.com