

LED Explosion Proof Light with Bracket TL3

SPECIALTY
Explosion Proof Floodlight

Features and Benefits

- Durable and shock resistant
- Lens made of bulletproof PC, thermal resistant and corrosion resistant
- Low power consumption, saves energy more than 75% than traditional lighting
- Patented design for heat dissipation
- Explosion mark: Ex d II B T5
- Rated Lifetime: 50,000 hours
- 3 Year Warranty*
- UV, IR and Mercury-free
- UL-Damp and Dry Locations



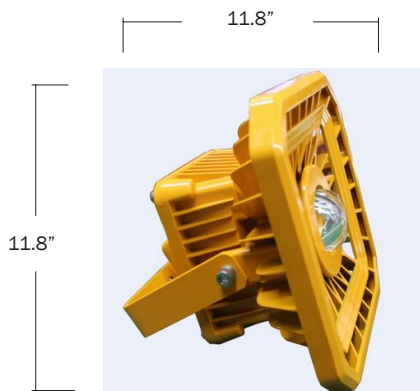
3 Year Warranty

Reduces Energy & Cost

No Lead or Mercury

| Part Number: | Wattage: | CRI: | Power Factor: | Life Hours: | Color Temperature(CCT): |
|-----------------|----------|------|---------------|-------------|-------------------------|
| TL-NB-EPL05-20W | 20 | >70 | >.95 | 50,000 | 2700-4000K, 5000-6500K |
| TL-NB-EPL05-30W | 30 | >70 | >.95 | 50,000 | 2700-4000K, 5000-6500K |
| TL-NB-EPL05-40W | 40 | >70 | >.95 | 50,000 | 2700-4000K, 5000-6500K |
| TL-NB-EPL05-50W | 50 | >70 | >.95 | 50,000 | 2700-4000K, 5000-6500K |

| Voltage: | Frequency: | Operating Temperature: | Dimensions (in inches): | Installation Height: | Indoor/Outdoor: | Certified Installer Required: |
|----------------------------------|---------------------------------|------------------------|-------------------------|--|-----------------|-------------------------------|
| 220 VAC (applied for 95-265V) | 50 Hz (applied for 47-63 Hz) | -30° C to +55° C | 11.8" x 11.8" | 13'~33' (flood light) 33'~98' (project light) | Both | No |



Applications

- Residential
- Oil Fields
- Oil Refineries
- Offshore Oil Platform
- Power Plants
- Gas Stations
- Oil Tanks
- Warf, Tunnel
- Pumping Station, Substation
- Military Base
- Zone I and II
- Hazardous Locations
- Zone 20, 21, 22
- II A, II B, II C
- Explosive Gas Atmosphere



Certifications:
RoHS, CE, CNEX Listed

*For warranty terms please visit our website Trans-Lux.com



Trans-Lux Energy Corporation
300 N Elizabeth St Suite 610c
Chicago, IL 60607
800.559.8197 • www.Trans-Lux.com