

Edge-lit Exit Signs

Features and Benefits

- Ultra-bright, energy efficient, long-life Red or Green LED
- Unique pivoting housing suitable for Ceiling, Wall or End Mount applications
- Optional recessed ceiling mount kit (RC)
- Self adhesive field selectable Chevron directional indicators
- Attractive, low profile satin extruded aluminum
- Dual 120/277 voltage
- Energy consumption of less than 2 watts of nominal power
- Clear acrylic edge-lit lens is provided for single face signs and a mirrored background is standard for double face signs
- Charge rate/power "ON" LED indicator light and push-to-test switch for mandated code compliance testing.
- Long life Nickel Cadmium maintenance free battery
- Internal solid-state transfer switch automatically connects the internal battery to LED board for minimum 90-minute emergency illumination.
- Surge and brown out protection are standard
- Fully automatic solid-state, two-rate charger initiates battery charging to recharge a discharged battery in 24 hours.
- Rated Lifetime: 200,000 hours
- 3 year warranty*
- UV, IR and Mercury-free



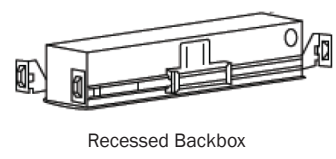
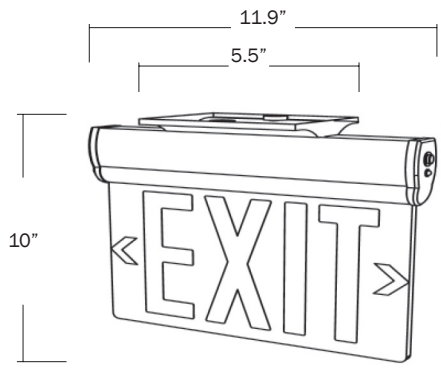
Rated Life
200,000 hours

Reduces
Energy & Cost

No Lead or
Mercury

Series:	Operation:	LED:	Faces:	Options:
TL-EUN	AC = AC Only	R = Red	1C = Single Face/Clear Background	RC = Recessed Ceiling Mount
TL-EUN	EM = NiCad Battery	G = Green	2M = Double Face/Mirror Back Background	RC = Recessed Ceiling Mount

Operating Temperature:	Life Hours:	Dimensions (in inches):	Indoor/Outdoor:	Certified Installer Required:
-10 °C to 40 °C	200,000	11.9" x 10"	Indoor	Yes



Applications

- Residential
- Office
- Retail
- Restaurant
- School
- Hospital
- Hotel/Motel



Certifications:

*For warranty terms please visit our website Trans-Lux.com



Trans-Lux Energy Corporation
300 N Elizabeth St Suite 610c
Chicago, IL 60607
800.559.8197 • www.Trans-Lux.com