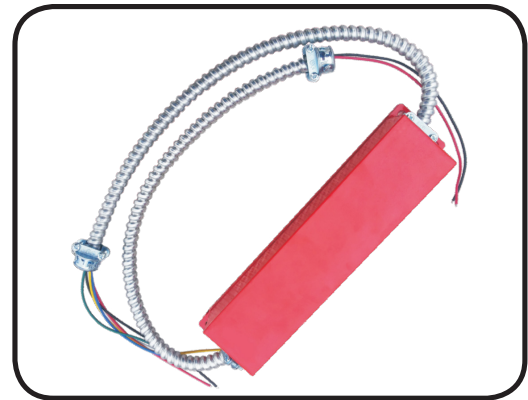


LED Lamp Emergency Backup

Features and Benefits

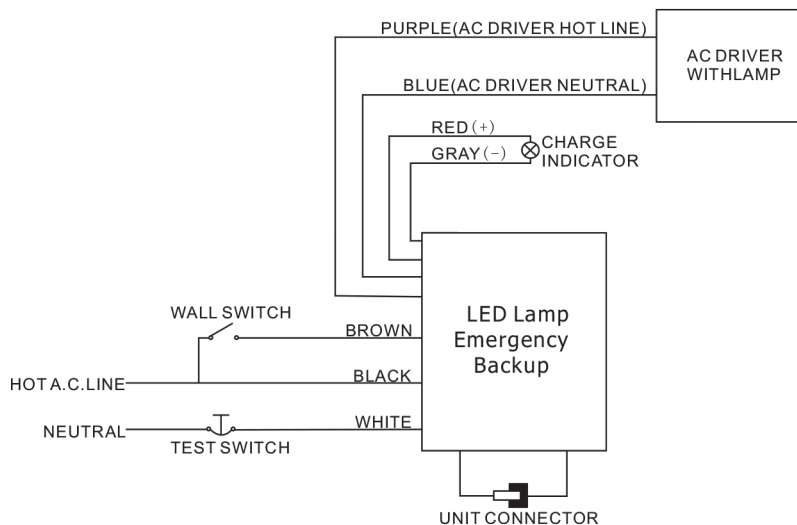
- Long life high temperature recyclable Ni-Cad battery
- Includes test switch and charge indicator accessory kit
- For use with switched or unswitched fixtures
- Meets or exceeds all National Electrical Code and Life Safety Code
- Emergency Lighting



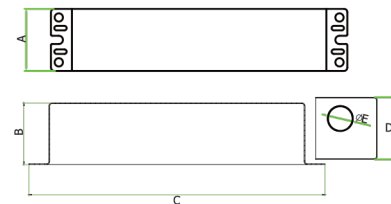
Part Number:	Output Power:	Description:	Input Voltage:	Operating Frequency:
TL-EH-18170-XX	18W(Max)	Use with an LED lamp load up to 18W at a rated voltage of 170VDC	100-277 VAC	50/60Hz
TL-EH-25170-XX	25W(Max)	Use with an LED lamp load up to 25W at a rated voltage of 170VDC	100-277 VAC	50/60Hz

Emergency Operation:	Operating Temperature:	Battery:	UL Conditions of Acceptability
≥90 minutes	0°C to 50°C	High Temp Nickel-Cadmium 24 Hour Recharge 7-10 Year Life Expectancy	Must be factory wired Battery temperature must not exceed 50°C

Typical Wiring Diagram



Dimensions



Model	TL-EH-18170-XX	TL-EH-25170-XX
A	2.7"	2.7"
B	2.8"	2.8"
C	14.8"	14.8"
D	2.7"	2.7"
E	0.9"	0.9"

- (1) DO NOT MATE CONNECTOR UNTIL INSTALLATION IS COMPLETE AND AC POWER IS SUPPLIED.
- (2) TEST ACCESSORY LEADS-OBSERVE PROPER POLARITY WIRING.
- (3) The WALL SWITCH control the on and off of the AC DRIVER when the urban voltage is normal.